

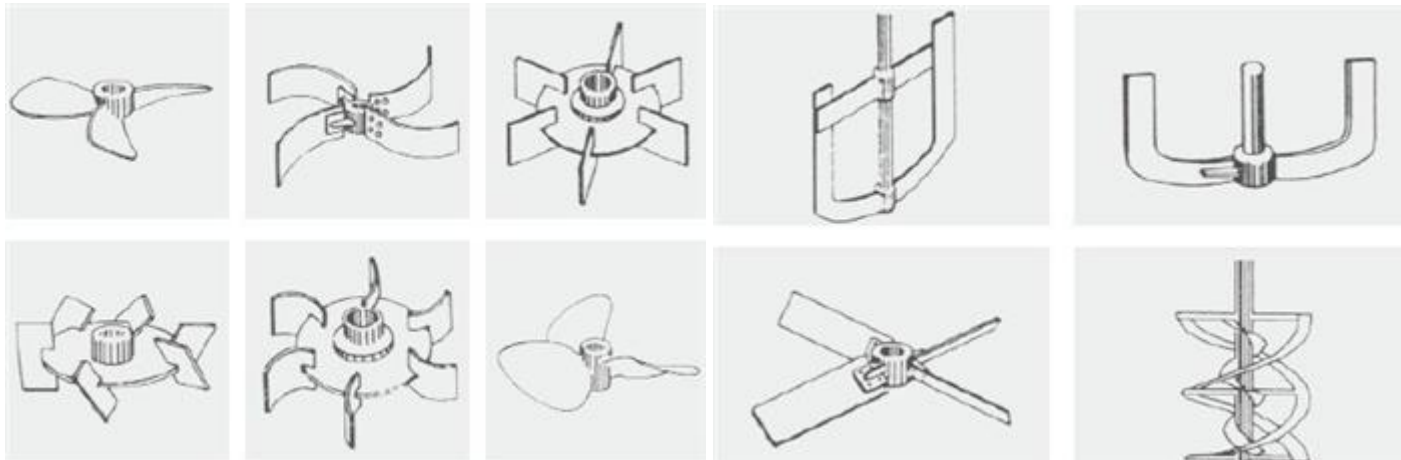
## Mixing Reactor



ELE company specialized in developing, designing, and manufacturing chemical reactor, storage tank, movable tank with various volume.

### Features

- According to different process, the reactor can be vacuum, hermetic seal, heating, or cooling. It can be configured with many kinds of heating and cooling methods, like electric heating, steam heating, hot oil heating, hot water heating, etc. for cooling can be cold water cooling...
- It can be configured with various mixing methods, like high speed disperser, high speed homogenizer paddle mixer, anchor mixer or high shear homogenizer, (kindly pls refer to below chart)



- It can equip with frequency inverter to get more various speed, with reducer to get low speed.
- Inside and outside of reactor is finishing polished, surface is very smooth, easy to clean.
- According to different requirement, the reactor can with platform or with legs on the floor.
- Maintenance: there are manhole for big volume reactor, man can through manhole to maintenance or clean the reactor, if small volume reactor, with handhole or with gland head, the head is removable.
- Material: ss304 or ss316L stainless steel, for acid or corrosive, inside wall can coating antiseptic material.
- Volume: from 50 litre to 200000 litre.
- Voltage: 380v, 60hz, 3phase ( can customized )

**Specifications:**

Volume (Litre)	Diameter (m)
1000L	1100m
1500L	1200m
2000L	1300m
3000L	1500m

4000L	1600m
5000L	1800m
6000L	1900m
8000L	2000m

ELE is professional non-standard manufacturer in Shanghai, China, we can design various tank according to your process.

### **Professional technical supports & Processing Machines**

Our engineers are around 20years rich experience in this area, professional skills and stable processing.

We have lathes, grinder, drilling machine, boring machine, polishing machine, milling machine...etc.

### **Maintenance & Services**

- 1.Before order, customer can take materials to our lab and make test grindings, spot-testing parameters like particle size distribution, obtain reliable data for model selection;
- 2.We provide you operation manual in Chinese or English;
- 3.We offer you Videos for equipment installation and maintenance in both English and Chinese;

4. With three years of spare parts inventory to ensure normal use and make you to be in trouble free;
5. Within 12-months warranty period, we promise to change damaged parts free of charge by air or by sea;
6. After delivery, our professional engineer will offer on-site guidance debugging free of charge, according to different characteristic of materials, to set up the operational parameters of the mill and ensure optimal grinding quality & equipment running status;
7. After the warranty period, we provide maintenance and maintenance service, only charge the cost;
8. Meanwhile, our skillful grinding experts can offer you free professional technical consulting and service.